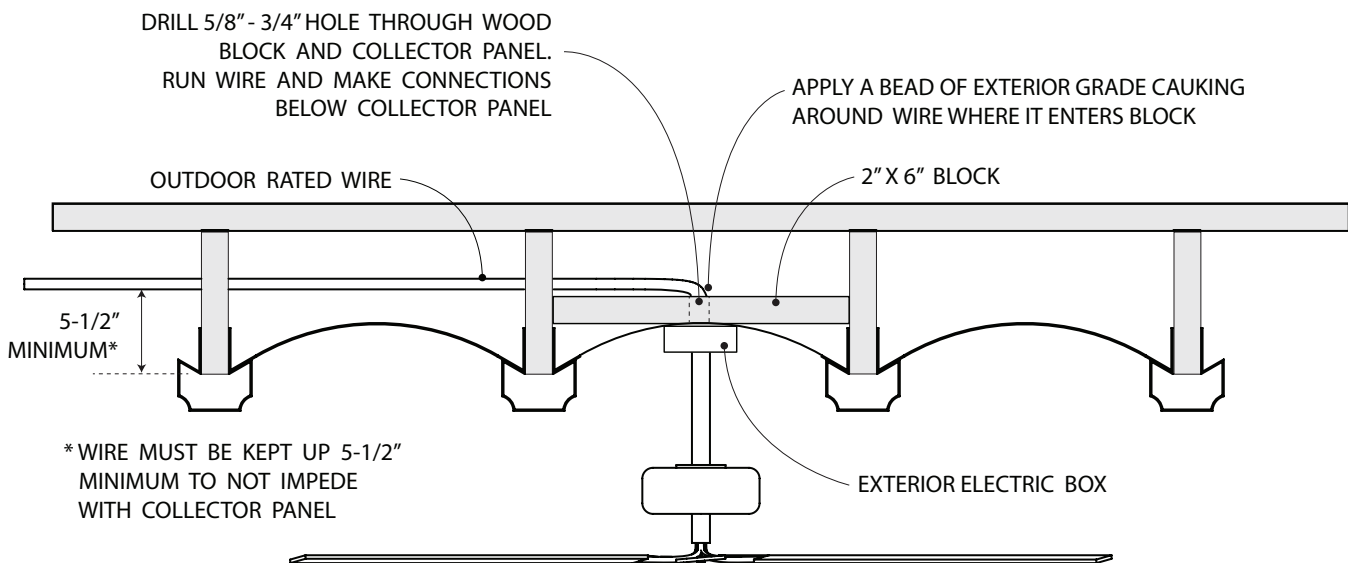


Fan and Lighting Installation

Be sure to check with local building codes before installation.

FANS

Note: Position of the support block must be determined after the Joist Rails are installed and a scrap piece of Collector Panel is positioned into the Joist Rails.



HANGING LIGHTS

Note: Position of the support block must be determined after the Joist Rails are installed and a scrap piece of Collector Panel is positioned into the Joist Rails.

